

WATERSTOP-RX® 103

EXPANDING CONCRETE JOINT WATERSTOP

DESCRIPTION

WATERSTOP-RX® 103 is a hydrophilic strip waterstop designed to stop water infiltration through cast-in-place concrete construction joints by expanding upon contact with water to form a positive seal against the concrete. The key to WATERSTOP-RX®'s effectiveness is its superior expansion to seal and fill voids and cracks in the concrete. WATERSTOP-RX® 103 is an active waterstop that is designed to replace passive PVC/Rubber dumbbell waterstops, thereby eliminating the requirement of special pieces, split-forming and seam welding. WATERSTOP-RX® 103 has been successfully tested by independent testing firms to over 60 meters of hydrostatic water pressure, under both continuous immersion and wet/dry cycling.

WATERSTOP-RX® 103 is produced in a rectangular shape measuring 10 x 20 mm. Though WATERSTOP-RX® 103 possesses good resistance to many chemicals, the waterstop is not intended to be used as the primary joint sealant for chemical containment vessels. Consult manufacturer for guidance regarding chemical compatibility for secondary chemical containment applications. Additionally, WATERSTOP-RX® 103 is not an expansion joint sealant; contact CETCO for expansion joint applications.

APPLICATIONS

Applications include both vertical and horizontal non-moving concrete construction joints, new to existing concrete construction, irregular surfaces, and around through-wall penetrations, such as plumbing and utility pipes. Additionally WATERSTOP-RX® can seal around penetrations, concrete pilings and steel H-piles passing through the slab. WATERSTOP-RX® works in both continuous hydrostatic and intermittent hydrostatic conditions.

WATERSTOP-RX® 103 product are designed for reinforced structural concrete with a minimum of 20 N/mm² compressive strength.

WATERSTOP-RX® 103 is designed for vertical concrete 150 mm thick or greater; and

horizontal concrete no less than 100 mm thick. WATERSTOP-RX® 103 should be used in concrete with min one row of steel reinforcement, concrete curbs, planter walls, fountains, and lightweight structural concrete.

WATERSTOP-RX® 103 is a reliable, cost effective means to stop water infiltration through concrete construction joints. It can also be used around pipe and structural penetrations

INSTALLATION

Surface preparation: Surfaces should be clean and dry. Remove all dirt, rocks, rust or other construction debris. Do not install WATERSTOP-RX® 103 in standing water or on an iced substrate.

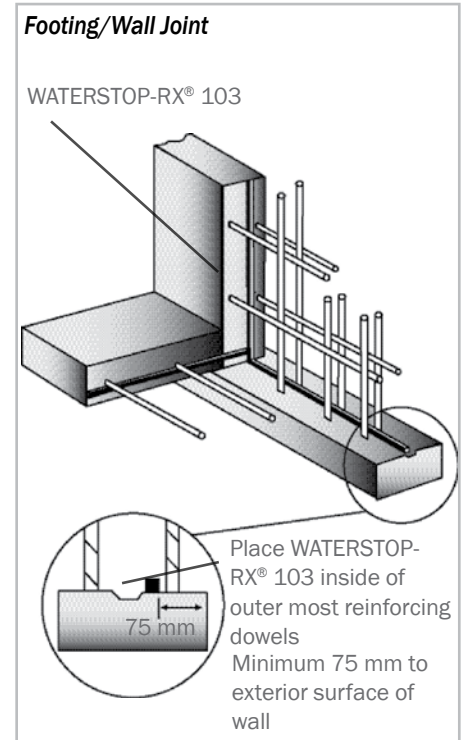
Adhesive: Apply a continuous bead of CETSEAL along the substrate where WATERSTOP-RX® 103 will be installed. Assure minimum 50 mm concrete coverage will be maintained. Keep the nozzle tip pressed against the concrete at a 45° angle during application.

Primary installation method: After applying a continuous bead of CETSEAL, remove release paper, then firmly press the entire length of WATERSTOP-RX® 103 onto the adhesive. For vertical and overhead applications, firmly press a minimum of 15 seconds to assure adhesion. For best results apply WATERSTOP-RX® 103 within 15 minutes of adhesive installation. WATERSTOP must be placed into adhesive prior to CETSEAL skinning over and curing. CETSEAL may be applied to damp surfaces, but not in standing water.

Tightly butt coil ends together to form a continuous WATERSTOP – do not overlap coil ends. Place in maximum practical lengths to minimize coil end joints. Where required, cut coils with a sharp knife or utility blade to fit coil ends together. Make horizontal to vertical transitions by abutting product coil sections together, no special accessory pieces are required. At structural and pipe penetrations, cut into strips to fit around

the penetration. Apply to adhesive and abut coil ends together. On irregular surfaces such as stone or rough concrete, make sure WATERSTOP-RX® 103 remains in direct contact with the substrate along the entire installation. There should not be any air gap between the WATERSTOP-RX® 103 and the substrate.

Optional REVO-FIX method: REVO-FIX is a steel mesh used to mechanically secure WATERSTOP-RX® 103 into position using the accompanying supplied fixings. Remove release paper and place the WATERSTOP-RX® 103 on the concrete substrate. Then place REVO-FIX strips over the WATERSTOP-RX® 103, lapping the strip ends by 25 mm maximum. Nail through lap with fixings supplied, and install one fixing 300 mm c/c along the REVO-FIX. End-to-end or end-to-side REVO-FIX junctions are created by simple but joints pressed firmly together. Start at junctions; do not stretch WATERSTOP-RX® 103 to fit. Do not overlap WATERSTOP-RX® 103.



General Application Detail

WATERSTOP-RX® 103 EXPANDING CONCRETE JOINT WATERSTOP

LIMITATIONS

WATERSTOP-RX® 103 is not a self-adhering product. CETSEAL adhesive is required to secure WATERSTOP-RX® 103 to concrete; as an alternative installation method the REVO-FIX mesh could be used. CETSEAL is required to secure WATERSTOP-RX® 103 to metal or PVC (pipe) surfaces. Mechanical fixings should be used with CETSEAL to secure WATERSTOP-RX® 103. Mechanical fixings should not be used to secure WATERSTOP-RX® 103 alone. Do not use any other adhesive or construction sealant apart from CETSEAL to secure WATERSTOP-RX® 103. WATERSTOP-RX® 103 is not designed, nor intended to function as an expansion joint sealant. For precast concrete applications, contact manufacturer for product suitability and for any special installation requirements.

WATERSTOP-RX® 103 products are designed for structural concrete with a minimum of 20 N/mm² compressive strength. WATERSTOP-RX® 103 requires a minimum of 50 mm of concrete coverage. WATERSTOP-RX® 103 should only be used in applications where the product is completely encapsulated within the concrete.

WATERSTOP-RX® 103 should not be prehydrated by being subjected to submersion or remain in extended contact with water prior to encapsulation in concrete. If the product exhibits considerable swell prior to encapsulation in the concrete, it must be replaced with new material.

In conditions where severe ground water chemical contamination exists, or is expected, consult manufacturer for product chemical compatibility information.

PACKAGING

WATERSTOP-RX® 103: 36 m per box (6 m roll / packaged 6 rolls per box). CETSEAL and REVO-FIX are packaged separately.

ACCESSORY PRODUCTS

CETSEAL is a multi-purpose, single component polyether moisture cure adhesive used to secure WATERSTOP-RX® 103 into position. Apply a continuous bead of CETSEAL to substrate then install WATERSTOP-RX® 103 before CETSEAL skins over and cures. Adhesive yield will vary with use, substrate and application.

WATERSTOP-RX® PRODUCT TABLE

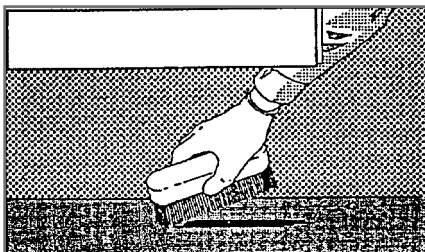
PRODUCT	SIZE	ROLL LENGTH	CROSS-SECTION SHAPE	UNIT QTY/CARTON	MIN CONCRETE COVERAGE
RX 103	10 mm x 20 mm	6 m	Rectangle	36 m	50 mm

WATERSTOP-RX® 103 EXPANDING CONCRETE JOINT WATERSTOP

5 FAST & EASY INSTALLATION STEPS

STEP 1

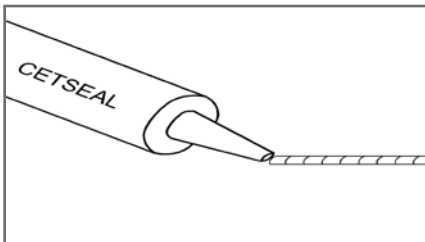
CLEAN SURFACE



REMOVE ALL DIRT AND DEBRIS

STEP 2

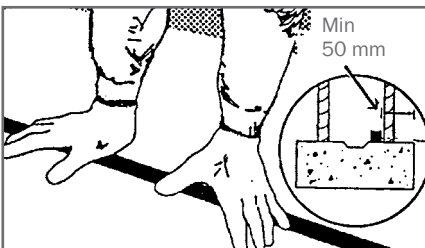
APPLY ADHESIVE



APPLY CETSEAL

STEP 3

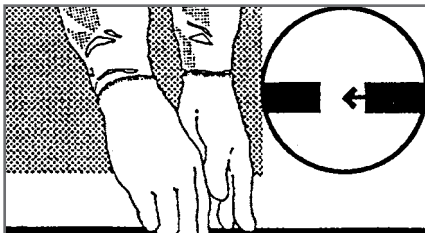
PLACE WATERSTOP



REMOVE RELEASE PAPER THEN PRESS FIRMLY AGAINST CETSEAL. MAINTAIN MIN. CONCRETE COVERAGE DEPTH

STEP 4

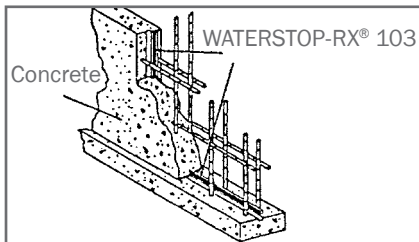
BUTT COIL ENDS



TIGHTLY BUTT COIL ENDS TO FORM A CONTINUOUS WATERSTOP. DO NOT OVERLAP COIL ENDS

STEP 5

POUR CONCRETE



LIMITED WARRANTY

Specifications and other information contained herein supersedes all previously printed matter and are subject to change without notice.

All goods sold by seller are warranted to be free from defects in material and workmanship. The foregoing warranty is in lieu of and excludes all other warranties not expressly set forth herein, whether expressed or implied by operation of law or otherwise, including but not limited to any implied warranties of merchantability or fitness.

Seller shall not be liable for incidental or consequential losses, damages or expenses, directly or indirectly arising for the sale, handling or use of goods, or from any other case relating thereto, and seller's liability hereunder in any case is expressly limited to the replacement (in the form originally shipped) of goods not complying with the agreement or at seller's election, to the repayment of, or crediting buyer with, an amount equal to the purchase price of such goods, whether such claims are for breach of warranty or negligence.

Any claim by buyer with reference to the goods sold hereunder for any cause shall be deemed waived by buyer unless submitted to seller in writing within thirty (30) days from the date buyer discovered or should of discovered, any claimed breach.

Materials should be inspected and tested by purchaser prior to their use if product quality is subject to verification after shipment. Performance guarantees are normally supplied by the applicator.

TYPICAL PROPERTIES

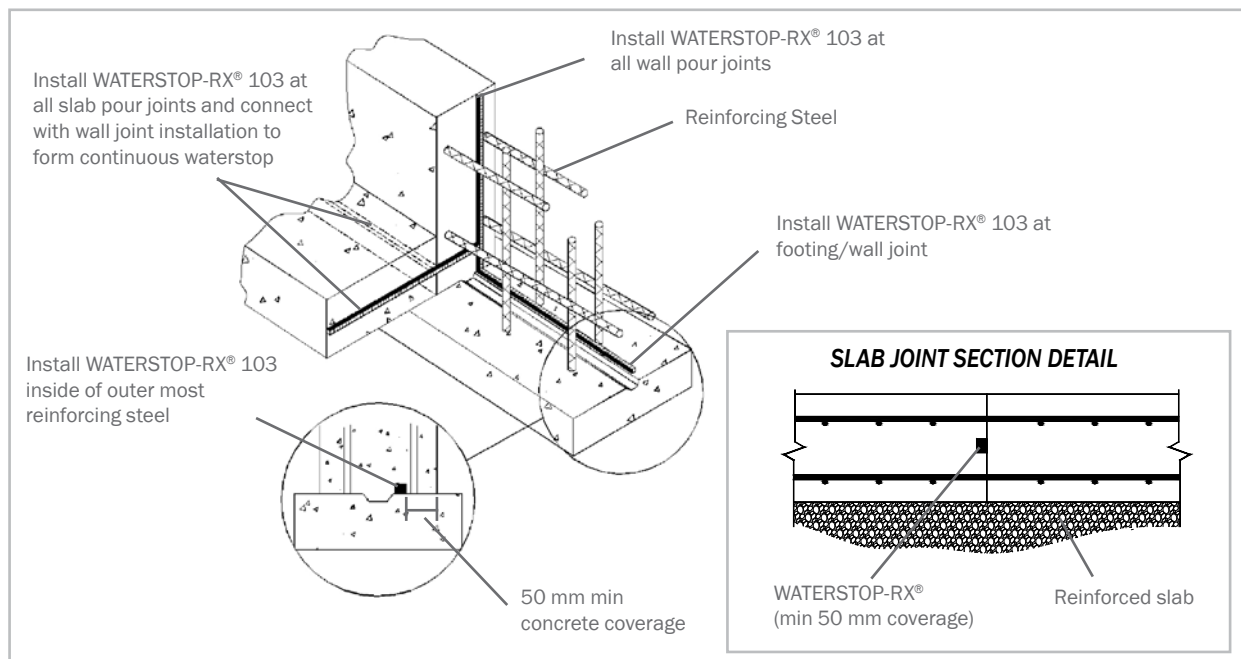
PROPERTY	TEST METHOD	VALUE
Hydrostatic Head Resistance	Independent Test	70 m
Wet / Dry Cycling (25 Cycles @ 70 m)	Independent Test	No Effect
Adhesion to Concrete Using CETSEAL	Independent Test	Excellent

WATERSTOP-RX® 103 EXPANDING CONCRETE JOINT WATERSTOP

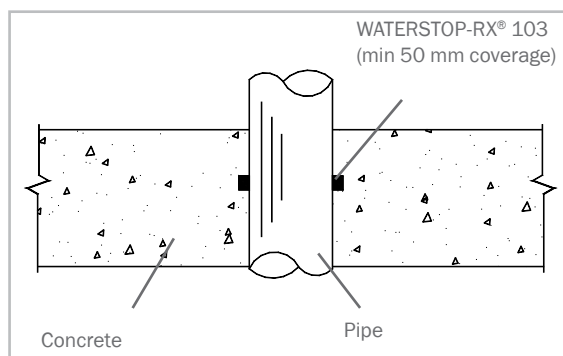
TYPICAL PRODUCT APPLICATIONS

WATERSTOP-RX® 103

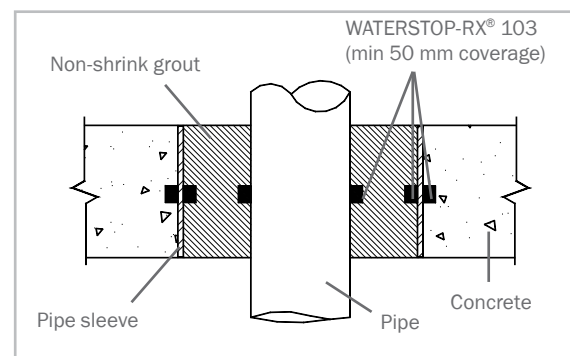
- Vertical concrete 150 mm thick or greater
- Horizontal concrete 100 mm thick or greater
- Concrete with min. one row of steel reinforcement
- Slabs containing only wire mesh
- Fountains / Planter Boxes / Curbs
- Penetrations



Typical WATERSTOP-RX® 103 Foundation Detailing



Cast-in-Place Penetration



Sleeved Penetration Detail

